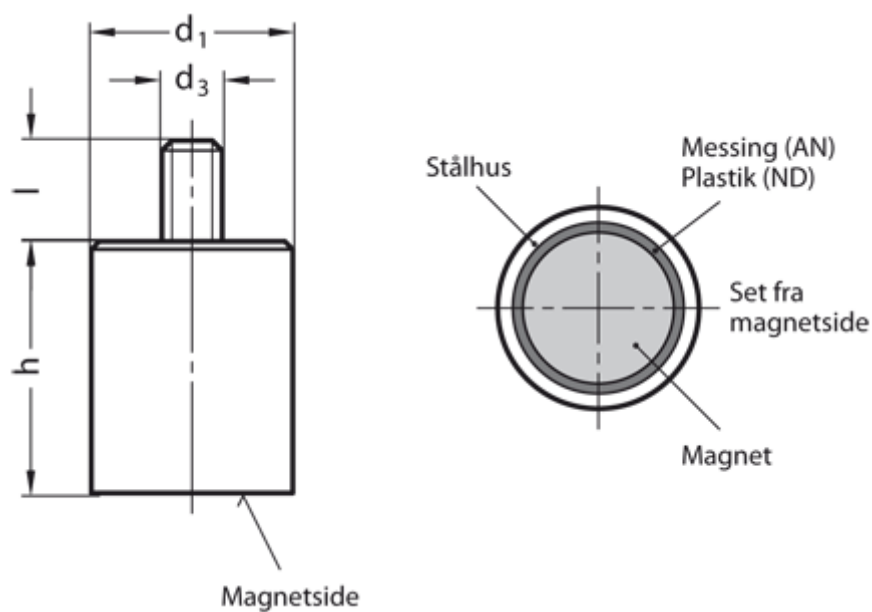


Article number: 201242467

Description: E+G Retaining magnets with threaded stud GN 52.4-ND-50-M10-E
Neodymium, iron, boron - 80° C, 900N

Measures



d1	= 50
d3	= M10
h	= 60 ±0,2
Holding force N	= 900.0
l	= 15
Material	= ND Neodym, iron, boron, 80°C